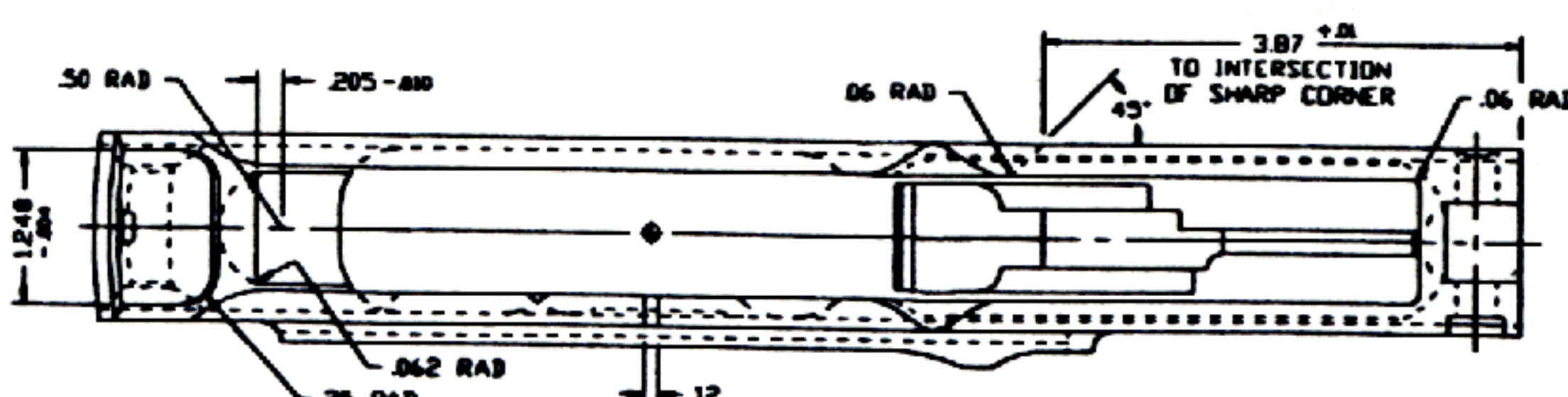
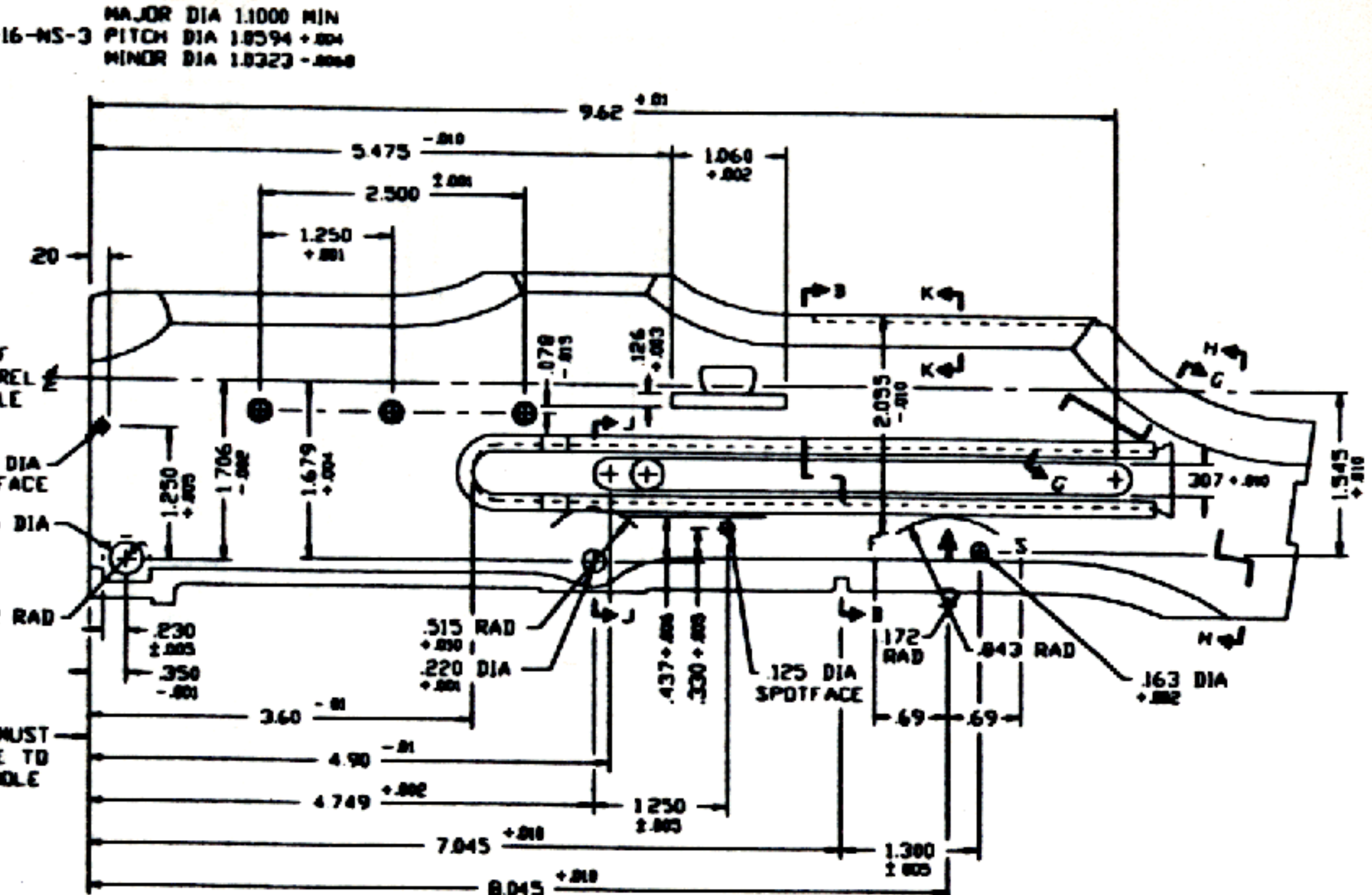
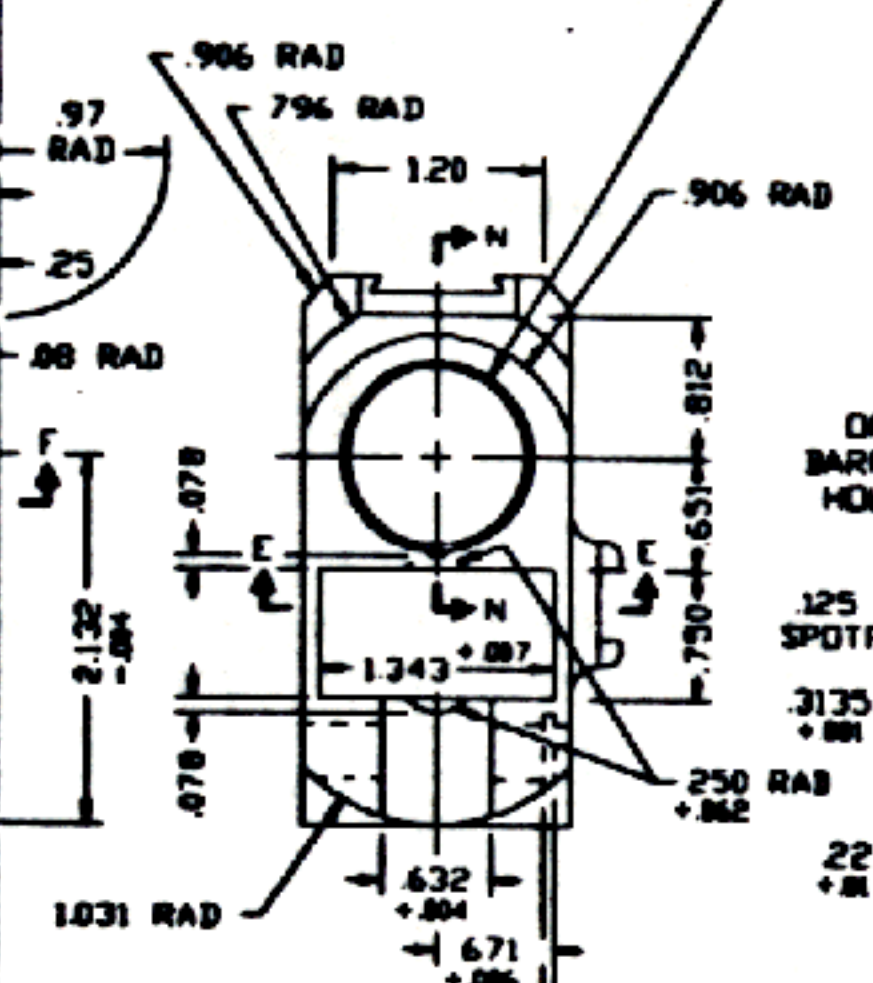
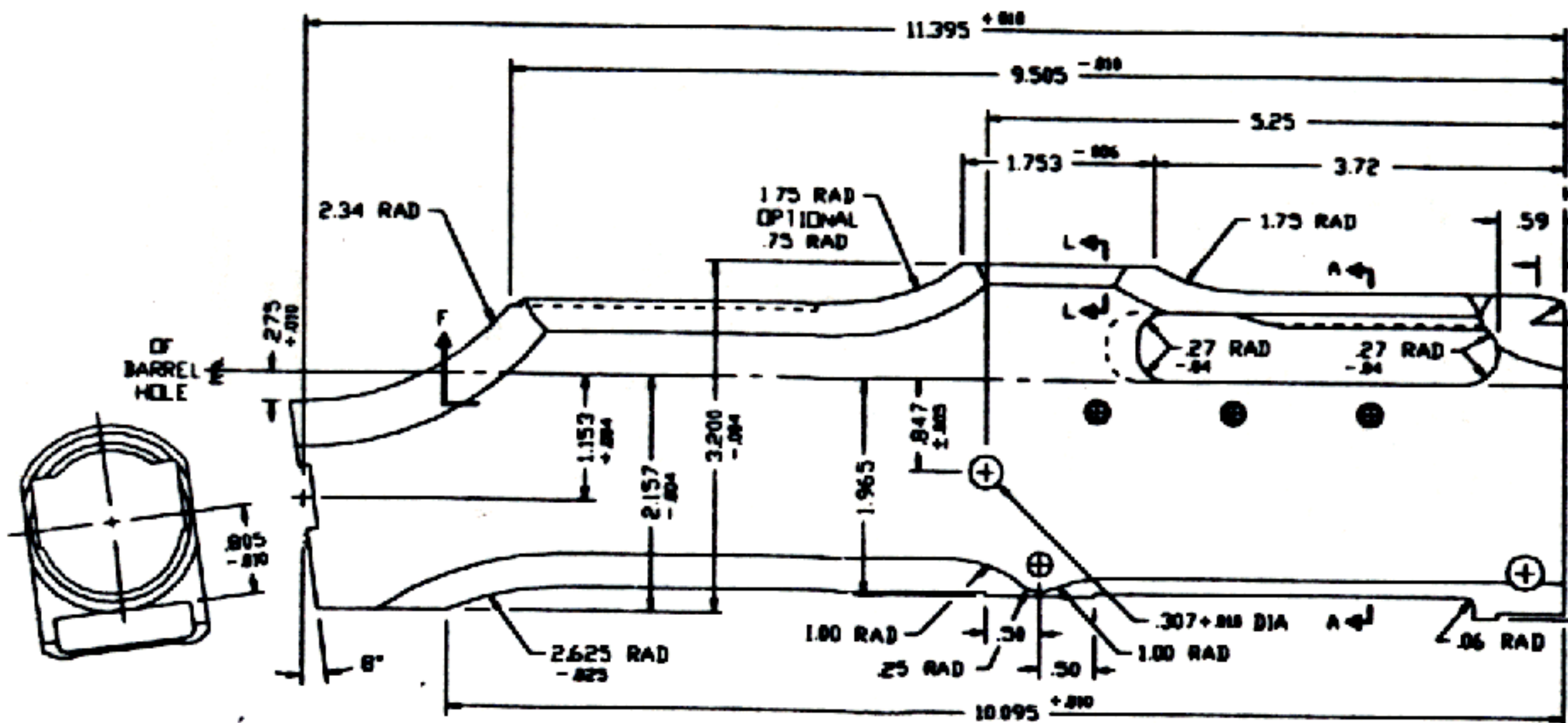
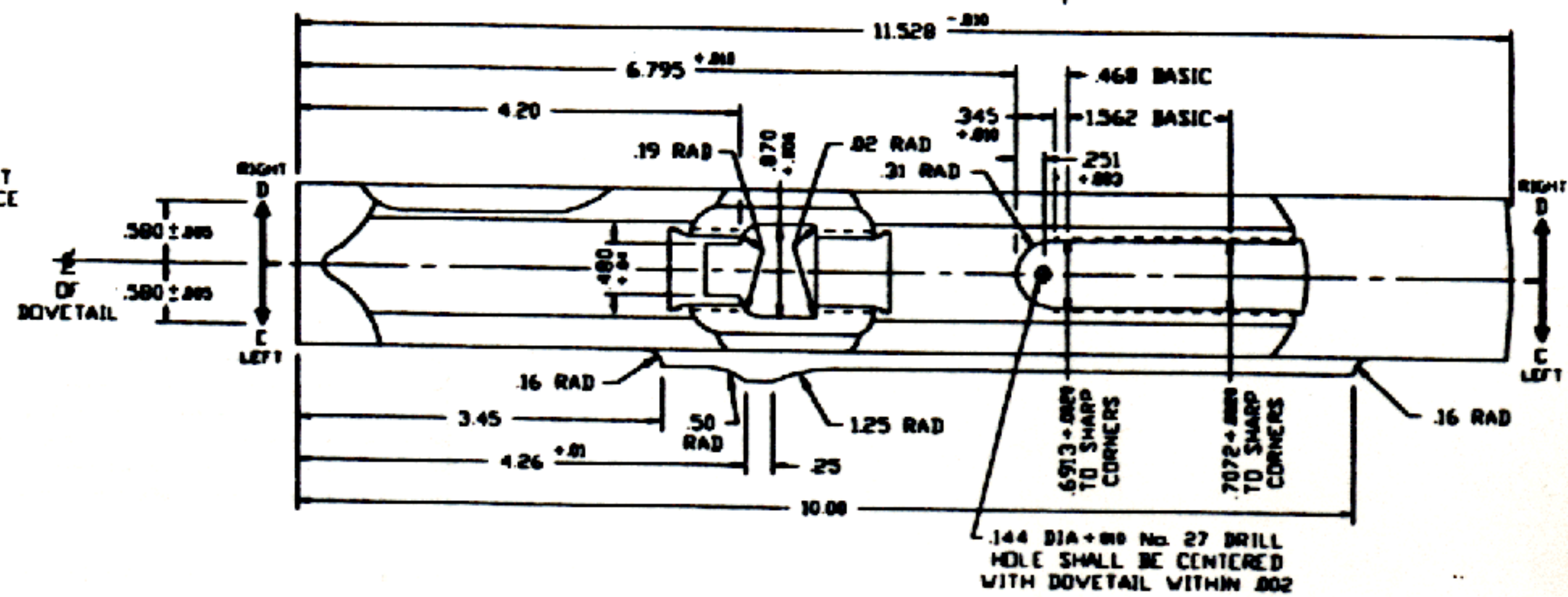
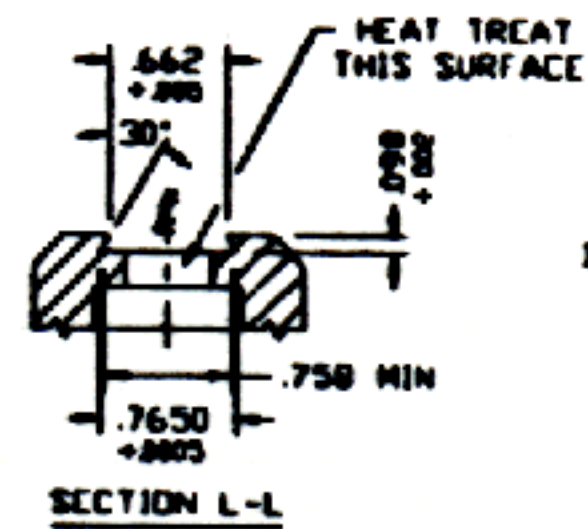
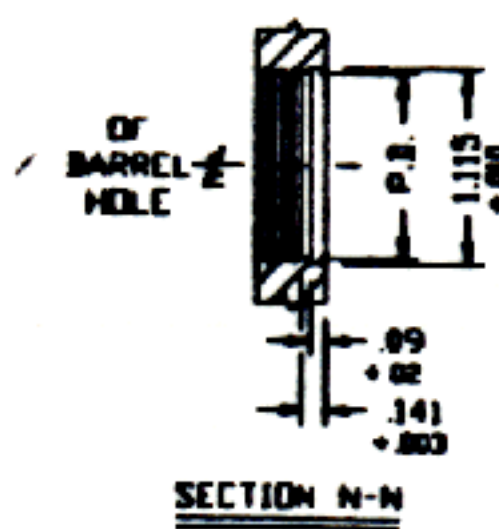
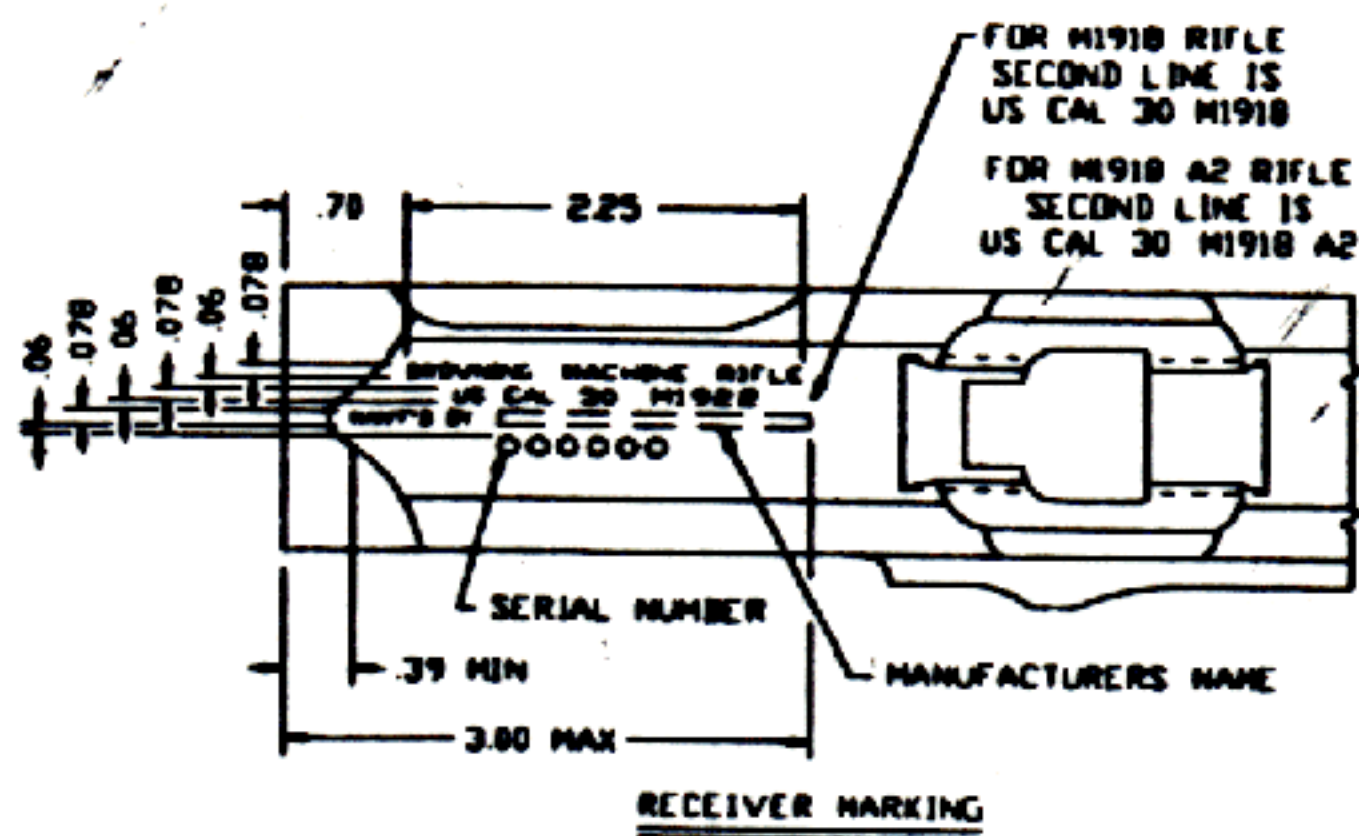


- NOTES**
1. MATERIAL - STEEL FS1050 FED. 00-S-633
OPTIONAL PEARLITIC MALLEABLE IRON CASTING CLASS II ML-1-M444
 2. FINISH - PARKERIZE
 3. BREAK ALL SHARP EDGES
 4. TOLERANCE $\pm .01$ ON ALL DIMENSIONS UNLESS OTHERWISE SPECIFIED

RESTRICTED MAT

CONFIDENTIAL

SCALE: FULL	MATERIAL: SEE NOTE 1	COR:	TOLERANCES: SEE NOTE 4
DRAWN:	FINISH: SEE NOTE 2	DATE:	REV.:
TITLE: BAR RECEIVER BROWNING AUTOMATIC RIFLE			NO.



CONFIDENTIAL

RESTRICTED MATERIAL

- NOTES
1. MATERIAL - STEEL F51050 FED QQ-S-633
OPTIONAL PEARLITIC MALLEABLE IRON CASTING CLASS II MIL-I-1444
 2. FINISH - PARKERIZE
 3. BREAK ALL SHARP EDGES
 4. TOLERANCE ±.01 ON ALL DIMENSIONS UNLESS OTHERWISE SPECIFIED

SCALE FULL	MATERIAL SEE NOTE 1	CAD	TOLERANCES
DWG	FINISH SEE NOTE 2	DATE	DEC 21 1988
TITLE: BAR RECEIVER BROWNING AUTOMATIC RIFLE	REV.	REV.	DEC 21 1988
			ANGLES 10°